



D-TECT 50 Motion Detector

The D-TECT 50, BS 8418 compliant movement detectors combine advanced signal processing and unique optical systems, which allow for the beam range to be programmed from 25 to 50 metres, avoiding boundary overspill, making it particularly effective for perimeter detection.

PRODUCT CODES

- GJD350** Quad PIR silver
- GJD350ABS** Quad PIR silver plastic housing
- GJD350B** Quad PIR silver dark cover*
- GJD350C** Quad PIR chrome
- GJD350D** Black housing burgundy cover*

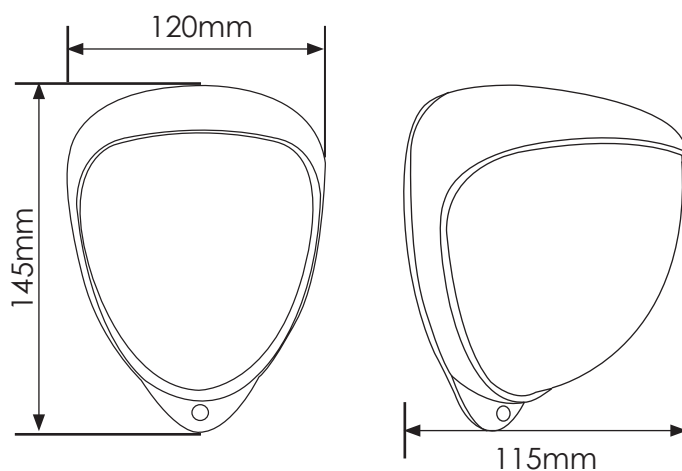
UNIQUE FEATURES

- Detection area of up to 50m
- Adjustable pan and tilt
- A conduit cable adaptor is available
- Engineer friendly features to ease cable termination, set-up and servicing
- Covert sensor module

END USER BENEFITS

- Exception resistance to false alarms
- Easy to install and highly cost effective
- Robust IP65 Zinc Alloy metal housing
- Long range narrow width detection beam

DIMENSIONS



*Not compatible with lighting control applications

SECTORS



RESIDENTIAL



COMMERCIAL



INDUSTRIAL



BORDERS



MILITARY BASES



PORTS



POWER PLANTS



HERITAGE



AIRPORTS



PRISONS

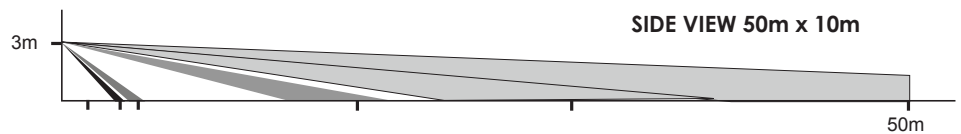
TECHNICAL SPECIFICATIONS

ACCESSORIES

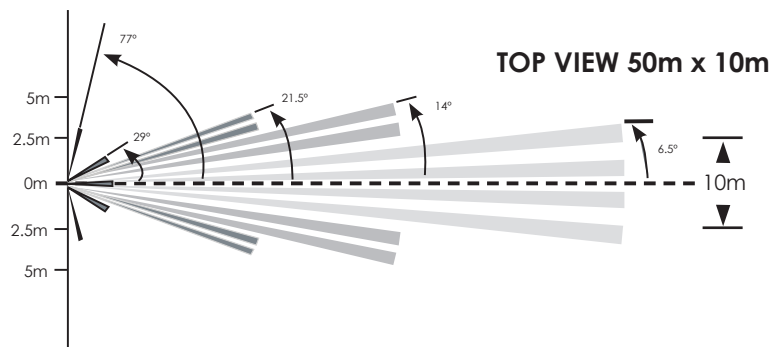
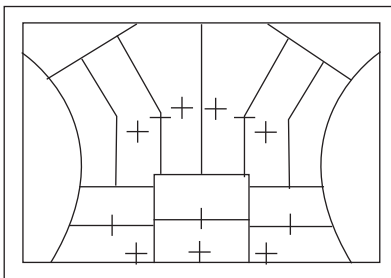
GJD304	Conduit Adaptor
GJD305	Pole Mount Bracket
GJD308	'D-Guard' Anti Vandal Cage
GJD380	Walk Tester

RANGE	From 25m to 50m programmable
COVERAGE	Detection Area 50m x 10m
ADJUSTMENT	180° pan + 90° tilt
MOUNTING HEIGHT	Optimum 3m
FRESNEL LENS	12 zones for each Pyro pair
CUSTOMISED OPTICS	Double silicon shielded quad element eliminates 50,000 Lux of white light
INDICATORS	1 x Blue LED on detection (configurable on/off)
OUTPUTS	2 x volt-free, silent solid state magnetically immune, 2 x neg, switched plus one common tamper (front and rear switched)
POWER INPUT	9 - 24 AC/DC
CURRENT	12 mA (12V nominal)
PULSE COUNT	1-2
WALK TEST	Output test mode with LED indication
OPERATING TEMP	-20°C to +55°C conformally coated electronics for increased stability
TEMP. COMPENSATION	Digital sensitivity adjustment
TIMER OPTIONS	2 to 60 seconds
LIGHT SENSING	Dusk (2 Lux) to 24 hour
HOUSING	High impact zinc alloy
PROTECTION RATING	IP55
DIMENSIONS	145 x 120 x 115 mm
WEIGHT	750g NET, 880g GROSS
CABLE <200M	Utilising all five outputs (incl. tamper) - 12 core 7/0.2mm
CABLE <500M	Utilising all five outputs (incl. tamper) - 12 core 16/0.2mm

BEAM PATTERNS



FRONT LENS VIEW 50m x 10m



Please note GJD reserve the right to change the information within this document, without notice.

